

Standard Construction and Materials

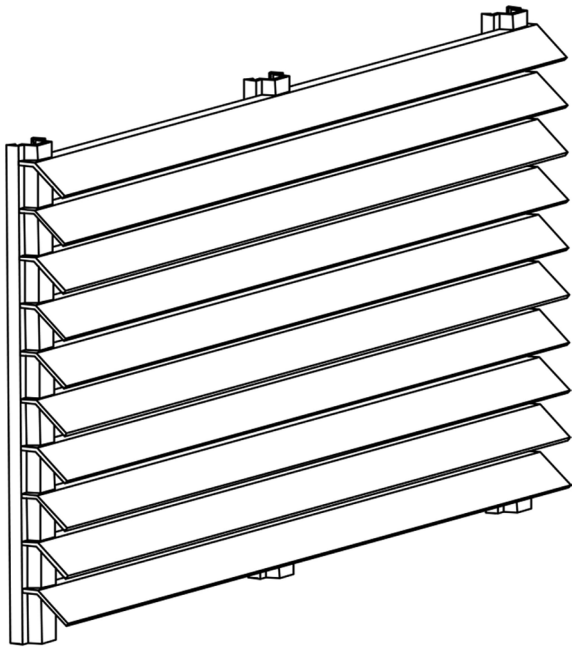
- FRAME:** Frame optional. See Page 2 for available options.
- VBS:** 0.465" deep hat channel, 0.063" thick (nominal)
6063-T5 aluminum alloy vertical blade support (VBS).
- BLADE:** 0.063" thick (nominal) extruded aluminum, 6063-T5 alloy.
- FINISH:** Mill

Options
Finish - Anodized, Painted

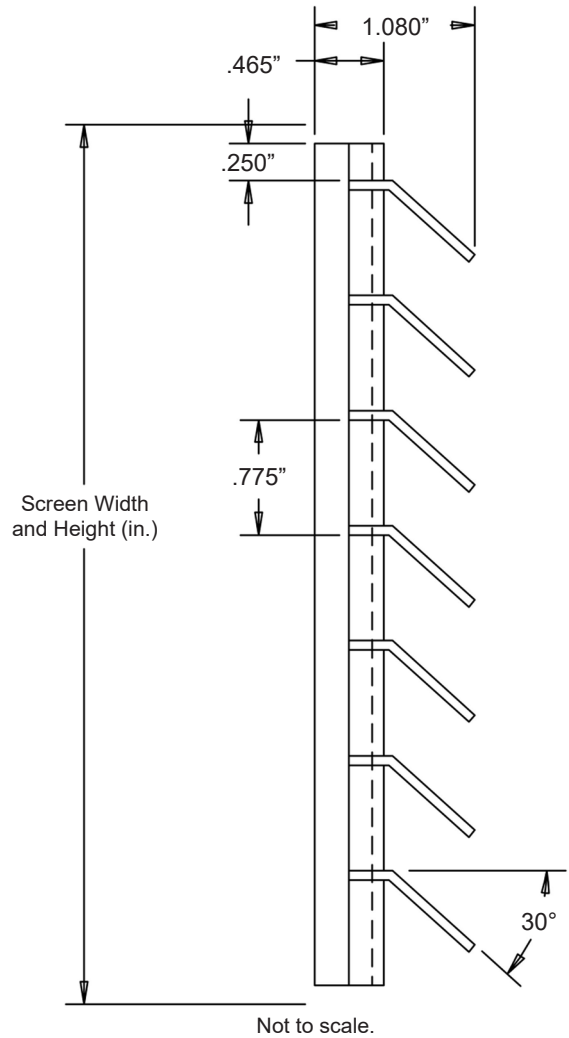
- Notes**
1. 1/2" nominal deduction will be made to the opening size given for standard and optional frame construction.
 2. Contact the factory for louver sizes larger than 96"W x 48"H.
 3. Approximate shipping weight is 1.6 lbs./sq.ft.

Louver Sizes

Min Panel	Max Single Panel
12"W x 12"H	96"W x 48"H



Not to scale.



										 Union Made	
Item #	Qty	Width	Height	Width	Height	Mullion					
		Opening Size		Louver Size							
Arch. / Eng.:						EDR:		ECN:		Job:	
Contractor:											
Project:						Date:		DWN:		DWG:	

In the interest of product development, CESCO Products reserves the right to make changes without notice.



450 Riverside Dr • Wyalusing PA, 18853
Phone: 570-746-1888 • Fax: 570-746-9286
www.cescoproducts.com

Free Area Tables

Free Area (sq.ft.)

		Width in. (mm)							
		12" (305)	24" (610)	36" (914)	48" (1219)	60" (1254)	72" (1829)	84" (2134)	96" (2438)
Height in. (mm)	12" (305)	.63 (0.059)	1.33 (0.124)	2.03 (0.189)	2.78 (0.258)	3.48 (0.323)	4.18 (0.388)	4.88 (0.453)	5.63 (0.523)
	24" (610)	1.29 (0.120)	2.72 (0.253)	4.16 (0.386)	5.70 (0.529)	7.13 (0.662)	8.57 (0.796)	10.00 (0.929)	11.55 (1.073)
	36" (914)	1.94 (0.180)	4.09 (0.380)	6.25 (0.581)	8.57 (0.796)	10.73 (0.997)	12.88 (1.197)	15.04 (1.397)	17.36 (1.613)
	48" (1219)	2.60 (0.242)	5.49 (0.510)	8.38 (0.779)	11.50 (1.068)	14.39 (1.337)	17.28 (1.605)	20.12 (1.869)	23.28 (2.163)

Free Area (% Free Area)

		Width in. (mm)							
		12" (305)	24" (610)	36" (914)	48" (1219)	60" (1254)	72" (1829)	84" (2134)	96" (2438)
Height in. (mm)	12" (305)	63.00	66.50	67.67	69.50	69.60	69.67	69.71	70.38
	24" (610)	64.50	68.00	69.33	71.25	71.30	71.42	71.43	72.19
	36" (914)	64.67	68.17	69.44	71.42	71.53	71.56	71.62	72.33
	48" (1219)	65.00	68.63	69.83	71.88	71.95	72.00	71.86	72.75

Frame Options

